



Zhejiang Xinhaiye Bamboo Technology Co.,Ltd

浙江新海业竹科技有限公司

## Installation Instruction

### 安装说明书

Material:           dassoXTR/CETCH decking          

材料名称:           高耐/瓷泰地板          

Specification:           1850\*137\*18/20mm          

材料规格:           1850\*137\*18/20mm

## Dasso decking installation

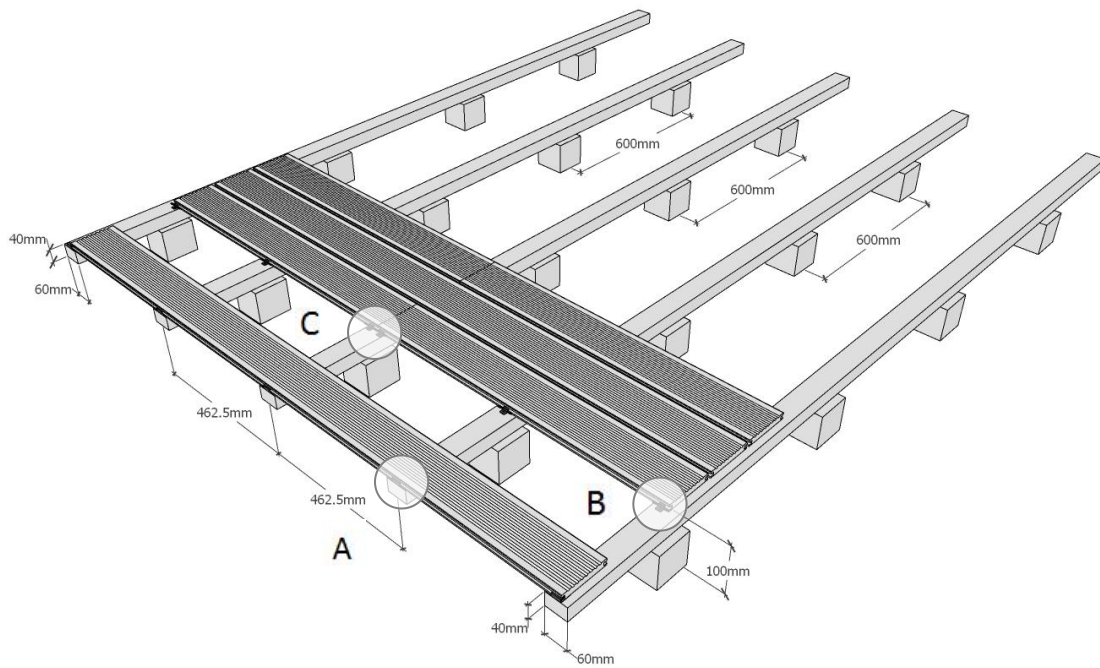
### Preparation before installation

- Water logging under the decking must be avoided by preparing a water permeable ground structure. This can be achieved by sand layers and gravel dispersion above.
- Use cement/stone tiles 40-50 mm thick or pedestals, to support the sub frame. See drawing.
- Install the decking boards with a slope of 1-2% to enable water to run off the surface.
- Ensure good ventilation of the decking by keeping at least 20 mm space at walls and obstacles and avoid closing the terrace on the sides.
- there should be at least 100 mm distance between the decking and the surface underneath the floor.
- The safety seam of 3~6mm should be left between the adjacent floors. The fastener will automatically adjust the safety gap when installed with special fasteners.
- Heavy bamboo outdoor porcelain tile floor end and both ends with trellis design, no longer need to leave safety seams
- Use sub frame joists with the minimum size of 40x60 mm. Suitable joists are those with the same durability class as the decking; if using steel frame, the min. thickness is 2mm
- Install the boards on sub frame joists with 462.5 mm space between the joists (centre- to-centre).
- Other sub frame joists should be installed with 5-8 mm distance between the end of the joists.
- The factory after waxing the floor end, can prevent moisture infiltration, but the cut floor must be closed treatment.

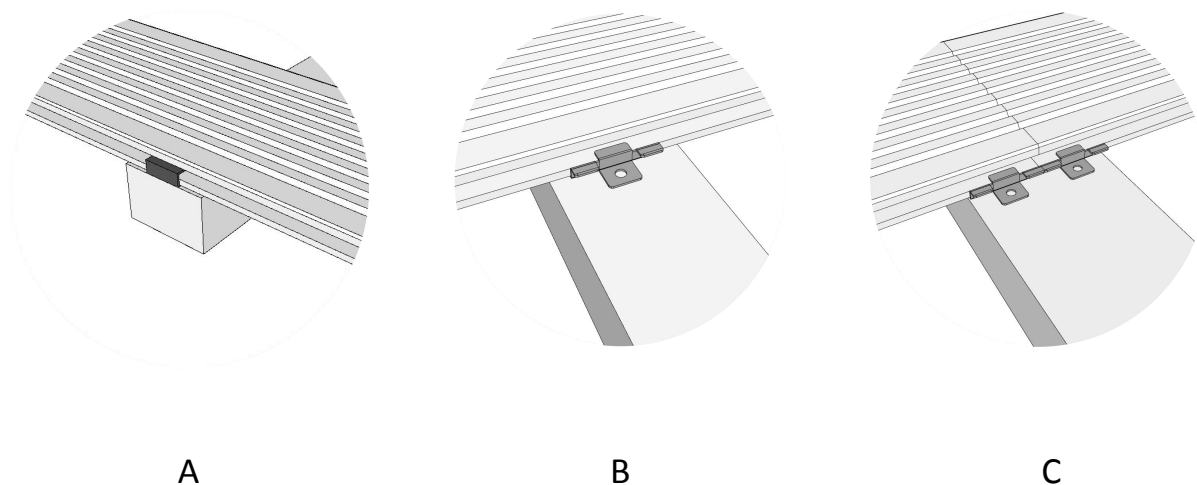
### Matters need attention

- The dassoCTECH board is a natural forest product, which varies in colour, grain and appearance. Colour can change fast from dark brown to brown or grey, depending on the maintenance schedule.
- Cracks and splinters on the surface and on the end of the boards will arise from the different drying characteristics of the surface and cross cut ends. Besides this the surface gets rough. This phenomenon is normal for most wood species and is minimized for this product by its patented heat treatment production method. Head sides cracks can be further minimized by applying wax on cross end sides of the cut boards, see below.
- Dimensional change or cupping of the boards can occur after installation. This phenomenon is normal for most wood species and is minimized for this product by its patented heat-treated process.
- When using the flat side of the boards as surface please note that deformation under influence of climate will be significantly more visible. Deformation of the surface is not considered to be fault of the material.

Drawing 1:



Drawing 2:



A

B

C

(two DC-02/03)

## Clip Installation

- Determine the surface side of the boards (reeded- or flat surface).
- Use fasteners or other suitable fasteners in the following sequence
  - Press fastener in the groove of one board
  - Tighten the screw in the fastener and the sub beam.
- When the last floor of the floor is paved, the gap of the plate shall be controlled at 6 mm with the plastic hammer.
- Use approx. 20/17/14 fasteners per m<sup>2</sup>, this is depending on the type or board 137/155/ 178mm wide. When the tongue and groove are connected on the sub beam use 2 fasteners, 1 for every board.
- Only use the included stainless steel decking screws (4.5 x 30 mm)

## Maintain after installation

- The floor must be cleaned and maintained at least twice a year. Please use Mukang outdoor floor cleaner, silicon trioxide cleaning brush and sand tray to clean the floor. Please read the manual of Mukang for details. Adjust cleanliness times depending on climate and usage
- When there is liquid stain on the floor, rinse the floor with clear water, and then dry it fully
  - It is advisable to keep the deck clear of dust and dirt as much as possible (sweep regularly)
  - Plywood: according to customer preferences, do not do floor maintenance is also feasible. Finally, the floor will appear pale yellow. But the first paint after the pavement is essential in order to prevent moisture penetration
  - The first paint process must be carried out immediately after installation
  - After a lacquer treatment, the floor does not need any other treatment, gradually fade into a natural yellowish.
  - The first cleaning of the floor after installation, with water and broom, no need for other cleaning. Fully dry the floor. After the floor is completely dry, please paint according to the instructions in the instructions

## Storing

Store daassoCTECH in a dry, cool place protected against dust and direct sunlight.

## Additional note

Whilst all due care is taken to ensure the accuracy of the installation instructions, individual circumstances (location, sub floor and installation procedures) may vary and are beyond the manufacturer's control. In case of doubt, therefore, consult

## **Face Screwing:**

### **The Smart-Bit Pro Plug™ System for Wood Installation Instructions**

#### **What You Will Need**

If you are counter sinking the screw heads dasso.XTR offers The Pro Plug System. The Pro Plug System is a complete system for plugging and it includes the Pro Plug Tool, specially engineered XTR Bamboo plugs, the Pro Plug glue nozzle, and stainless steel screws. PRO PLUG™ Glue Nozzle, DESAN, A power drill

Your decking or flooring manufacturer's instructions

**A source of compressed air** (from a small can or a compressor)

**A plastic or wood mallet**

**A rag**

#### **How To Use The PRO PLUG™ System**

Note: Before gluing, practice using the PRO PLUG™ Glue Nozzle on a few holes drilled in scrap wood. This will get the nozzle fully loaded with glue and give you a feel for how the nozzle works.

Read your decking or flooring manufacturer's installation instructions.

Determine the locations where screws are needed.

Pre-drill holes with the PRO PLUG™ Tool for Wood. The hole is complete when the stop collar stops spinning.

Blow out sawdust from the holes with compressed air.

With the work surface in a horizontal position, place the nozzle in the hole and push the glue bottle down. This will open the nozzle. Gently squeeze. Turn the bottle a 1/4 turn to ensure full coverage of the side wall. Pull the nozzle out of the hole. This will close the holes in the nozzle. The objective is to coat the inside walls of the hole while leaving as little glue at the bottom of the hole as possible.

You can glue several holes at a time and then go back to insert the plugs, so long as you do so before the glue begins to set. Use a rag to wipe off any excess glue that builds up on the nozzle tip.

Insert a PRO PLUG™ Plug in each hole, chamfered end first, with the wood grain aligned with the work piece. (Note: All plugs are face grained.) Using only moderate force, pound plugs in with

a plastic or wooden mallet until flush or nearly flush with the work surface. Wipe any excess glue clean with a damp rag.

Sand the work surface. We recommend delaying sanding until after the glue has set, following the glue manufacturer's directions.

Note: PRO PLUGTM Glue Nozzles can be easily maintained and reused even after becoming caked with dry adhesive. Simply wash the nozzle clean with warm water and, if necessary, use the end of a paperclip to clear the nozzle holes.